

Patent of the week

APPARATUS FOR FEEDING PRETERM INFANTS

Craig A. Beneke of GroundZero Corporation has obtained U.S. Patent No. 6,129,703 for an apparatus for feeding preterm infants. The invention comprises an apparatus for holding and feeding a preterm infant in which a neonatal bassinet holds the infant in position for feeding, and a gavage syringe holds and dispenses nutritional liquid through a catheter to the infant. A gavage syringe restraining device attaches to the bassinet with an L-shaped bracket which holds the gavage syringe in an elevated position above the infant.

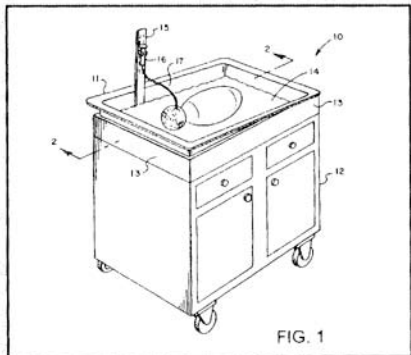


FIG. 1

Who's getting patents?

**NUMBER OF PATENTS ISSUED TO COMPANIES IN TEXAS FOR TEXAS INVENTORS
(YEAR-TO-DATE THROUGH NOVEMBER 29, 2000)**

IBM	439	UT Board of Regents	78
Advanced Micro Devices ..	470	Exxon	117
Texas Instruments Inc.	648	Dell	90
Motorola Inc.	229	Shell	125
Compaq	287	Ericsson	71

SOURCE: This information has been provided by the Intellectual Property and Technology Group of Haynes and Boone L.L.P. Direct inquiries to David L. McCombs at (214) 651-5533.