

Designed to assist in Bolus feeding for Pre-Term infants.

The Gavage Syringe Restraining Device "Butterfly" was designed to assist in the Bolus feeding of Pre-Term infants within NICU or PICU medical facilities. Designed to hang from central vent holes in top of isolette and allow for the Gavage Syringe to be secured in place with a Posey Wrap. Available in stainless steel.

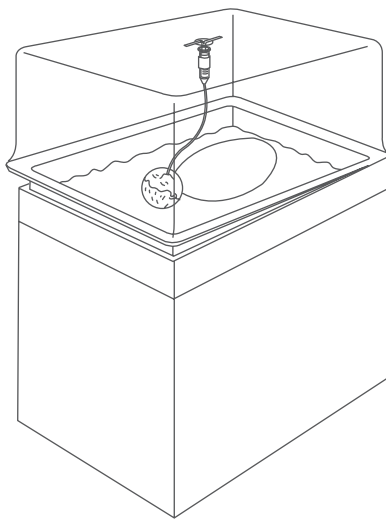
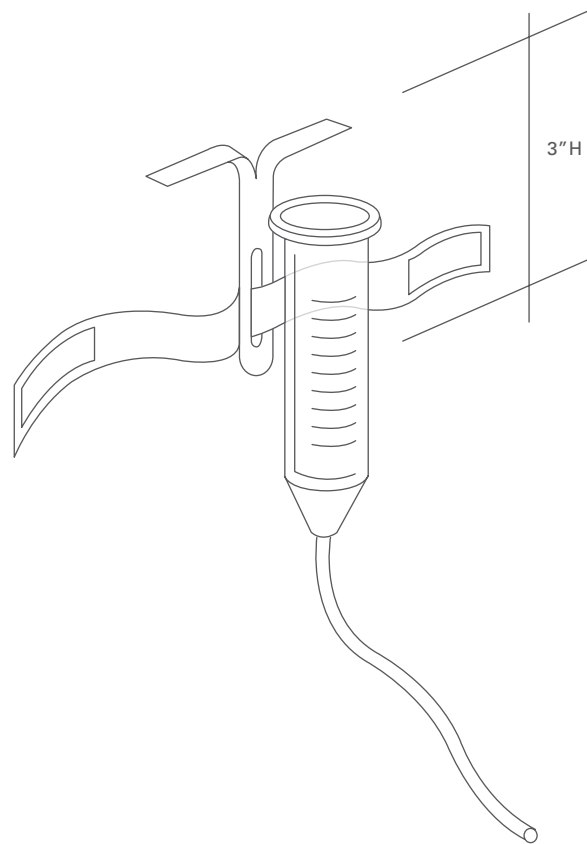
- Saves Time
- Saves Costs
- Flexible Use In All Applications
- Reusable
- Designed for Mobility
- Strong Light Weight Design
- 1/2"W X 4"L

Product List

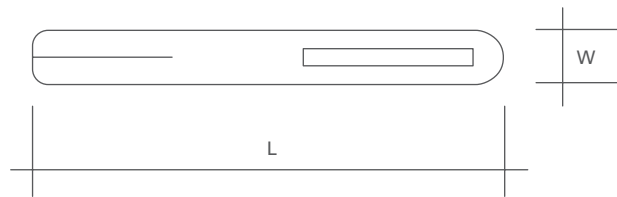
Stainless Steel

Each unit comes with 2 posey wraps.

Additional Posey Wraps (available per dozen)



Axon



Side