

Designed to assist patients with abdominal wall defects.

The Gavage Syringe Restraining Device "Halo" was designed to assist patients with AWD within NICU or PICU facilities. Fits comfortably inside standard open bassinets and radiant warmers and allows for hanging of the silo above the infants abdomen without hanging from the overhead warmer. Allows for Bolus feeding by gavage as well. Available in clear acrylic.

- Saves Time
- Saves Costs
- Flexible Use In Most Applications
- Reusable
- Designed for Mobility
- Strong Light Weight Design
- 4"W x 18"H x 11"L

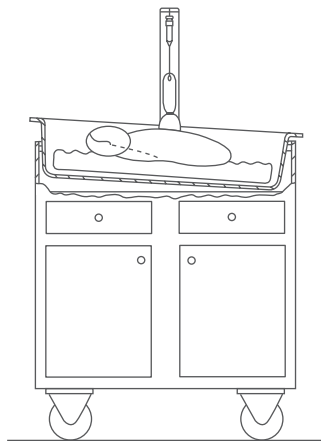
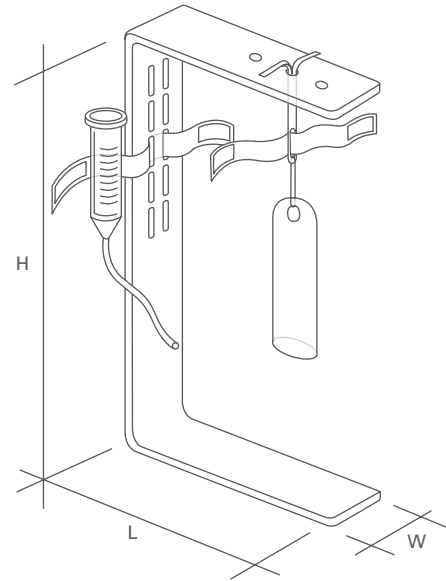
Product List

Clear Acrylic

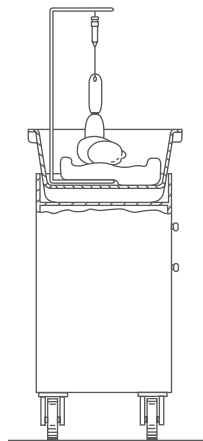
Each unit comes with 2 posey wraps and 2 butterflies.

Additional Posey Wraps (available per dozen)

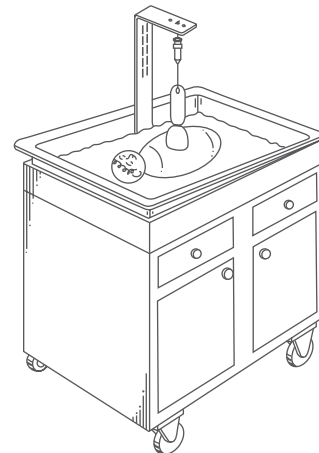
Additional Butterfly (available individually)



Front



Side



Axon