

Designed to assist in syringe pump feeding for Pre-Term infants.

The Gavage Syringe Restraining Device "Infusion Pump Restraint" was designed to securely hold a syringe pump at a recommended angle during infusion of breast milk. Studies have shown that there is a reduction in fat loss during infusion of the breast milk if the syringe is at an angled or upright position (versus a horizontal position). Lipids naturally rise to the top of the syringe therefore will be introduced into the feeding system first, instead of being discarded within the tubing at the end of the feeding. The holder is available in a 45° angle with a wrap-around Velcro strap to securely hold the syringe pump.

- Saves Time
- Saves Costs
- Flexible Use In All Applications
- Reusable
- Designed for Mobility
- Strong Light Weight Design
- 4³/₄" W x 10" H x 11" L fits Medfusion 2001
- 7" W x 10" H x 10¹/₂" L fits Medfusion 3500

Product List

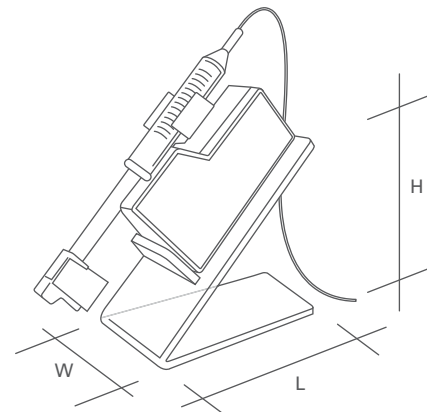
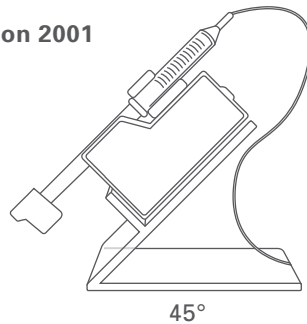
Clear Acrylic for Medfusion 2001

Clear Acrylic for Medfusion 3500

Each unit comes with 1 custom length posey wrap.

Additional Posey Wraps (available individually)

Clear Acrylic Medfusion 2001



Clear Acrylic Medfusion 3500

