

### Designed to assist in Bolus feeding for Pre-Term infants.

The Gavage Syringe Restraining Device "Little Helper" was designed to assist in the Bolus feeding of Pre-Term infants within NICU or PICU medical facilities. Fits comfortably inside standard isolette or bassinet applications and allows for multi-elevation feeding needs. Gavage Syringe is held securely in place with a Posey Wrap. Available in clear acrylic or stainless steel.

- Saves Time
- Saves Costs
- Flexible Use In All Applications
- Reusable
- Designed for Mobility
- Strong Light Weight Design
- 2 3/4" W x 16" H x 10" L

### Product List

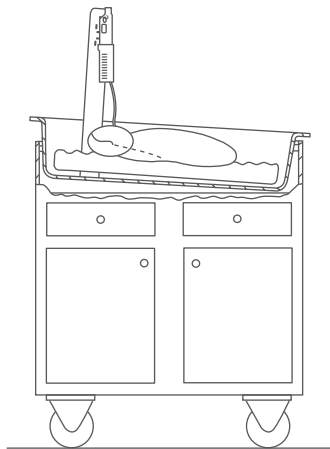
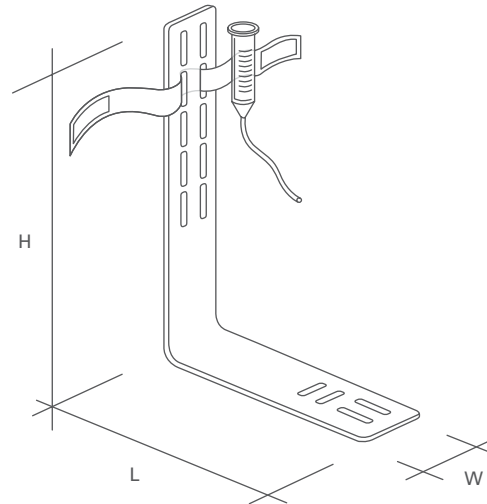
#### Clear or frosted Acrylic

Each unit comes with 2 posey wraps.

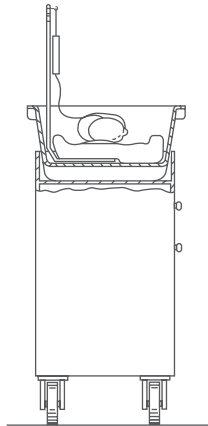
#### Stainless Steel

Each unit comes with 2 posey wraps.

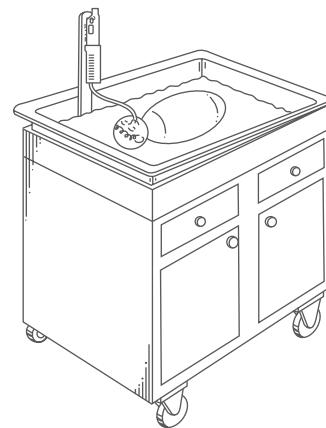
**Additional Posey Wraps** (available per dozen)



Front



Side



Axon